

# MAHLE

*Industrial Filtration*

## Dust filter cartridge

**120 NZ**

Ø 120 mm, RD72x5

### 1. Features

Star-pleated MAHLE dust filter cartridges are used to separate very fine particles from gases. The gas flows inward through the cartridge and is discharged via the open end cap on the top.

Regular, extensive material and performance tests are the key to the consistently high quality of MAHLE dust cartridges. A team of dedicated engineers in our applications department and modern development laboratories constantly endeavour to mature and perfect our products. Applications tests both on the customer's side and in our own facilities form the backbone of affordable and reliable products.

#### Characteristics

- Very high loading capacity
- Improved cleaning properties
- High stability
- Installation on the raw gas side
- Universally suitable
- Worldwide distribution



## 2. Technical Data

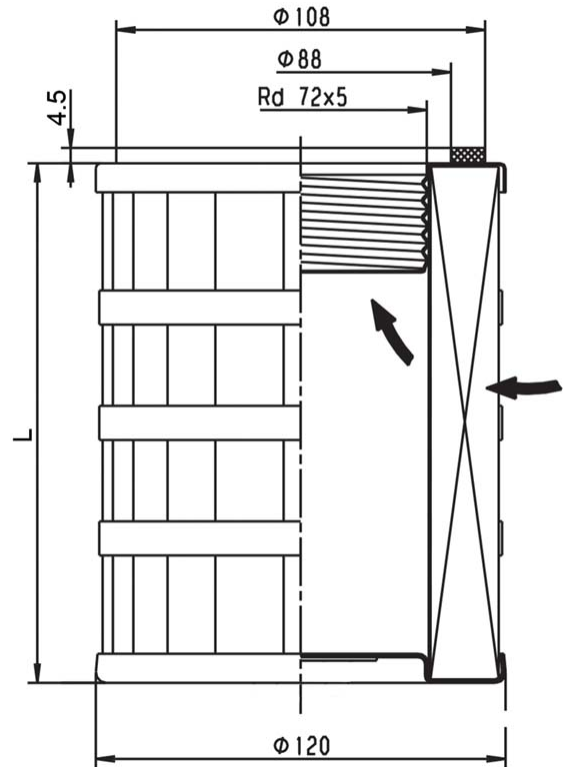
### Materials

<b>Inner core:</b>	Galvanized steel (standard) or stainless steel V4A - AISI 316
<b>End caps:</b>	Galvanized steel (standard) or stainless steel V4A - AISI 316
<b>Seal:</b>	self-adhesive needle felt
<b>Filter material:</b>	Ti 07 - Electrically conductive polyester fleece with PTFE membrane Ti 08 - Electrically conductive polyester fleece Ti 15 - Polyester fleece Ti 19 - PP meltblown microfibre with support liner Ti 26 - Glass fibre laminated with PET and cellulose

### Cleaning

<b>Nozzle:</b>	Multi-jet nozzle G3/8
<b>Cleaning pressure:</b>	4 bar to 6 bar (max. 7 bar)
<b>Differential pressure:</b>	max. 18 mbar
<b>Compressed air consumption per cleaning pulse:</b>	9 l (fad)
<b>Compressed air reservoir capacity:</b>	approx. 2 l per filter cartridge

Technical data is subject to change without notice!



## 3. Order numbers

Order number	Type designation	Length L [mm]	Filter material	Filter surface [m <sup>2</sup> ]	Max. vol. flow*** [m <sup>3</sup> /h]	Max. operating temperature [°C]	Electr. conductive
78334856*	852 926 Ti 07-0.3 V4A**	200	Ti 07	0.3	40	130	yes
78334864*	852 926 Ti 08-0.3		Ti 08				
78334872*	852 926 Ti 15-0.3		Ti 15			90	no
76362289*	852 926 Ti 19-0.3		Ti 19				
79356049	852 838 Ti 07-0.5 V4A**	300	Ti 07	0.5	70	130	yes
78218562	852 838 Ti 08-0.5		Ti 08				
78218547	852 838 Ti 15-0.5		Ti 15				
78388043	852 838 Ti 19-0.5		Ti 19				
76305130	852 838 Ti 26-0.5		Ti 26				
76307136	852 838 Ti 26-0.5 V4A**		Ti 26	80	90	no	
78216293	852 838 Ti 19-0.8		Ti 19				0.8

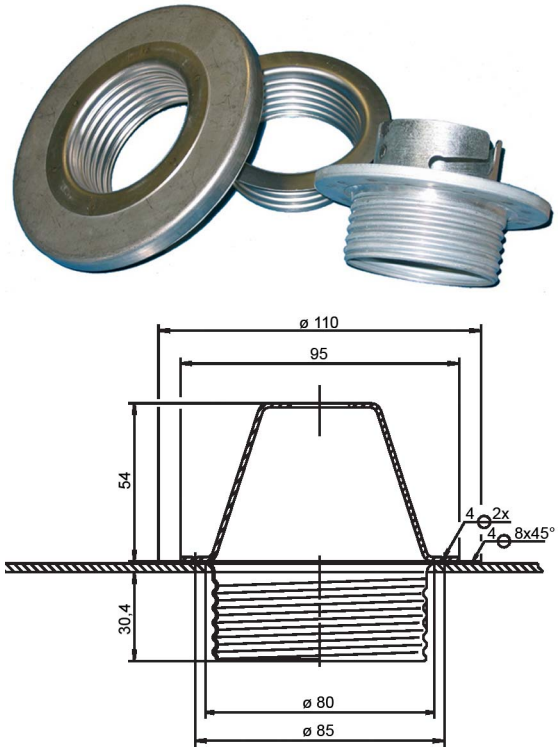
\* Pack of 2

\*\* Version made of stainless steel V4A - AISI 316 or equivalent

\*\*\* These values may vary depending on the nature of the dust and the composition of the gas.

## 4. Installation

The dust filter cartridge can be mounted on and dismantled from the filter plate using the RD72x5 thread adapter - no tools required. A hole with a diameter of 80 mm must be drilled in the filter plate in order to mount the thread adapter. The stirrup and the thread adapter should be spot-welded to the filter plate as shown in the drawing. Various adapters are available for installation on the cleaned side or for mating with RD60x4 or RD74x4 round threads.



## 5. Accessories

Order number	Designation
77769201	Thread adapter RD72x5, galvanized steel
79382318	Thread adapter RD72x5, stainless steel V4A - AISI 316
79741232	VAE 12 raw gas 3/8
79325234	Nozzle-M12 3/8, stainless steel
76360275	Nozzle-M12 3/8; aluminium
78330508	Adapter RD60x4/RD72x5, galvanized steel
76315329	Adapter RD60x4/RD72x5, stainless steel V4A - AISI 316
79747148	Adapter RD73x4/RD72x5, stainless steel V4A - AISI 316
76139950	Adapter RD74x4/RD72x5, stainless steel V4A - AISI 316
78314445	Adapter cleaned gas RD72x5, galvanized steel
78314528	Adapter cleaned gas RD72x5, stainless steel V4A - AISI 316

## 6. Cleaning

We recommend cleaning the dust filter cartridge with the MAHLE multi-jet nozzle. The optimised geometry of the multi-jet nozzle guarantees excellent cleaning results with a significantly lower noise level.

The multi-jet nozzle is available from MAHLE in aluminium or stainless steel. It can also be purchased as part of the MAHLE VAE cleaning unit, comprising the nozzle, a stirrup and various small assembly components. The stirrup maintains an optimum distance from the cartridge to ensure maximum cleaning efficiency.



## 7. Design

Please contact us for detailed technical information, any open questions and for general expert advice. Completion of the relevant questionnaire would facilitate in the coordination of all important parameters.

Comprehensive documentation on our product range, cleaning units and cartridges can be provided.

MAHLE Filtersysteme GmbH  
Industriefiltration  
Schleifbachweg 45  
D-74613 Öhringen  
Phone +49 (0) 7941/67-0  
Fax +49 (0) 7941/67-23429  
industriefiltration@mahle.com  
www.mahle-industriefiltration.com  
70342657.04/2008